

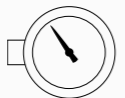
PM START



www.grundfos.com/pmstart

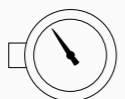


PM START 1.5: 1.5 bar (22 psi)
PM START 2.2: 2.2 bar (32 psi)



PM START 1.5: Max. 10 A
PM START 2.2: Max. 10 A

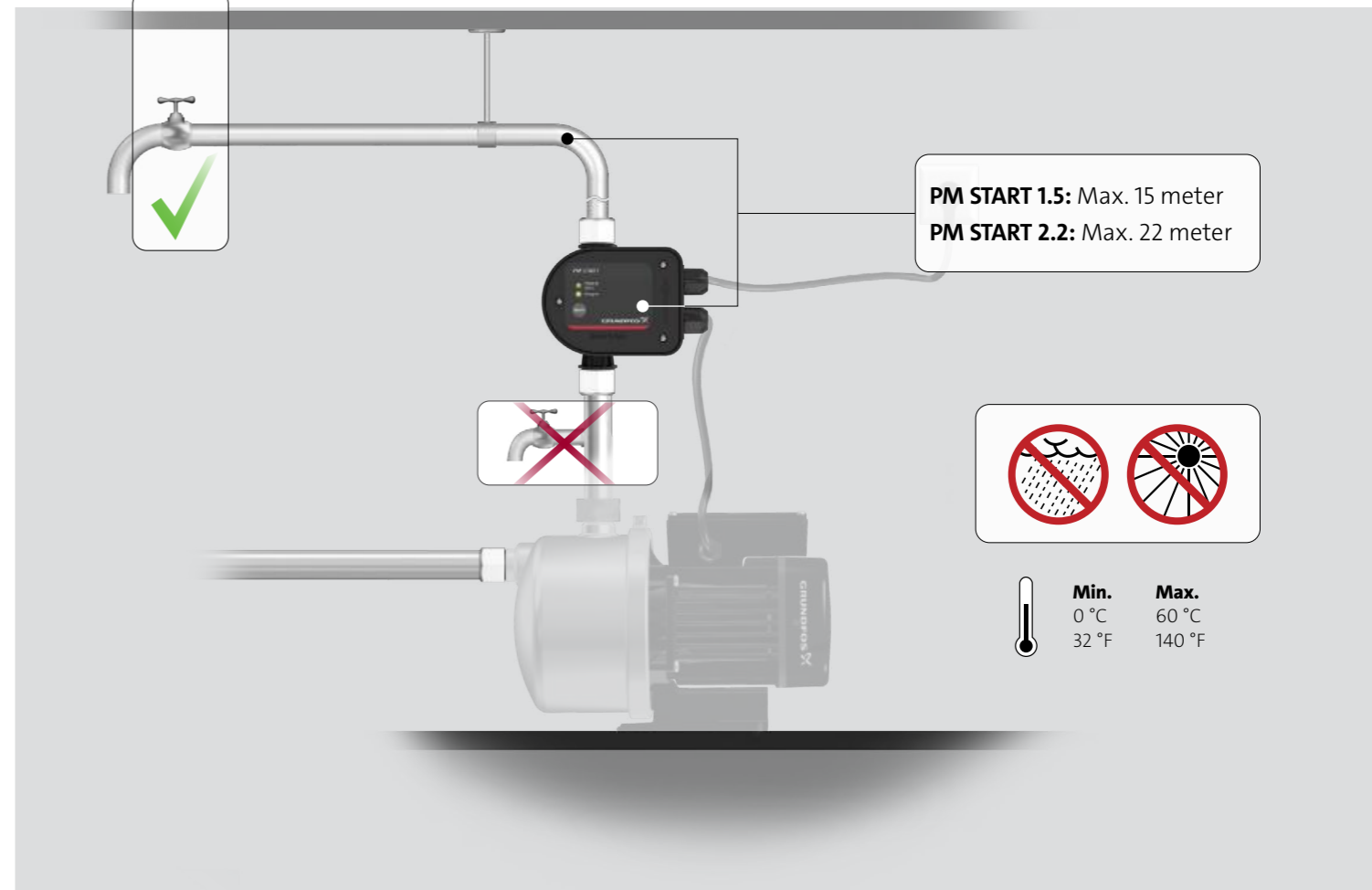
PM START 1.5:
Min. 3 bar (44 psi)
Max. 10 bar (145 psi)
PM START 2.2:
Min. 3.5 bar (50 psi)
Max. 10 bar (145 psi)

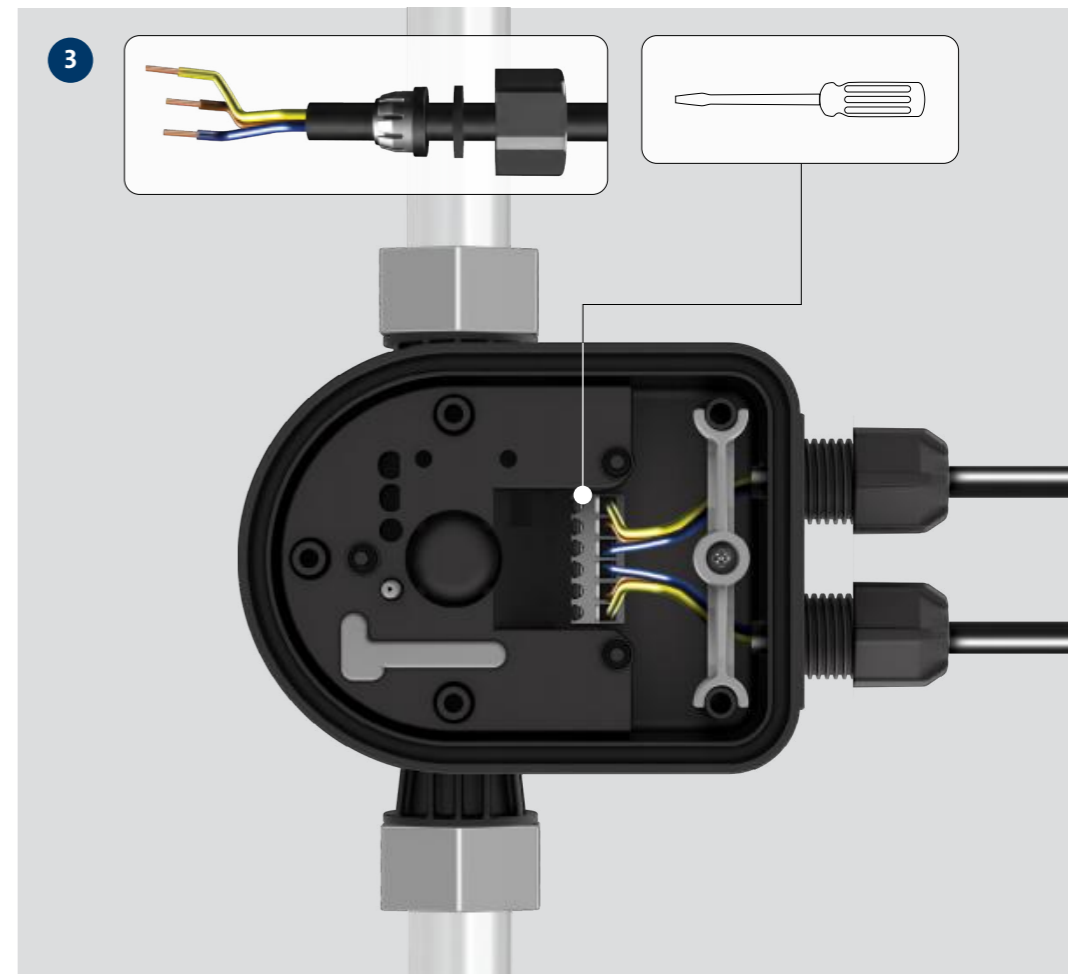
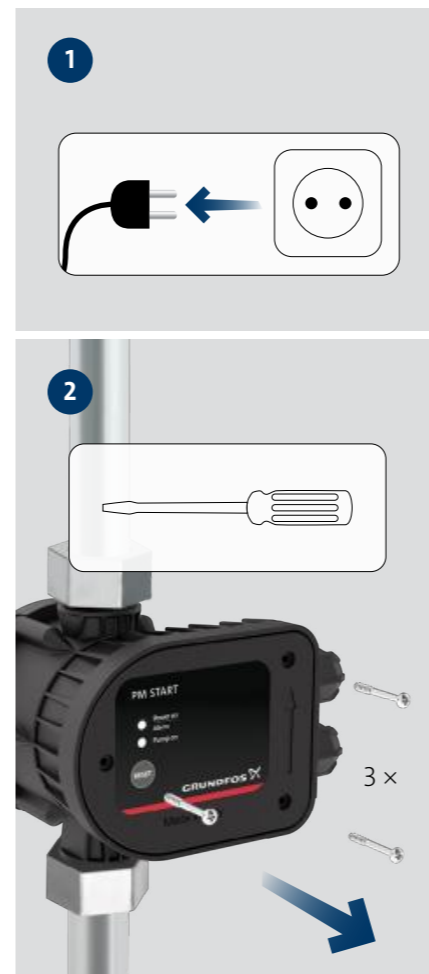
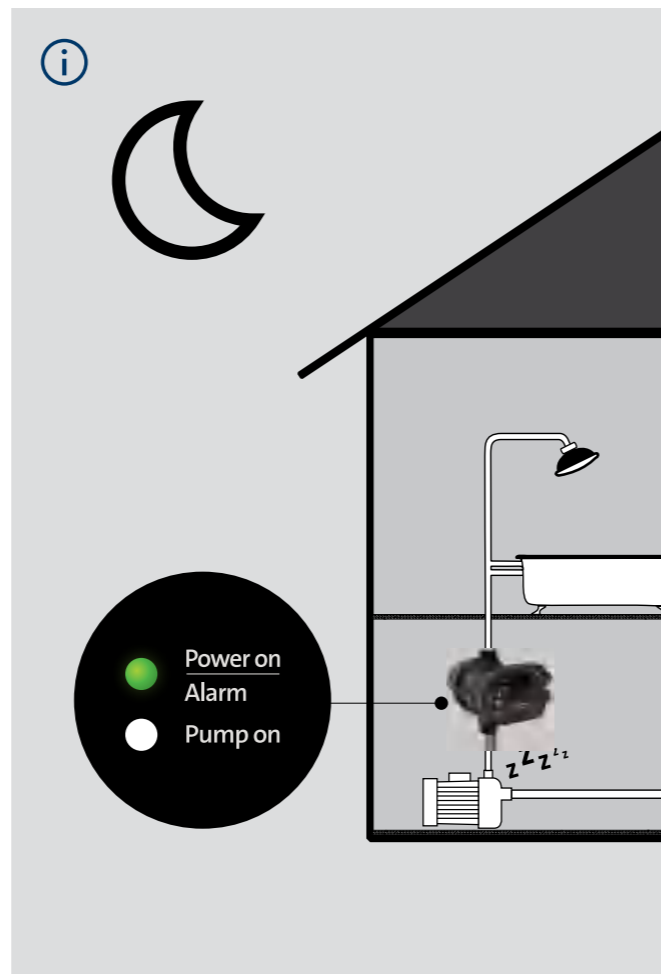
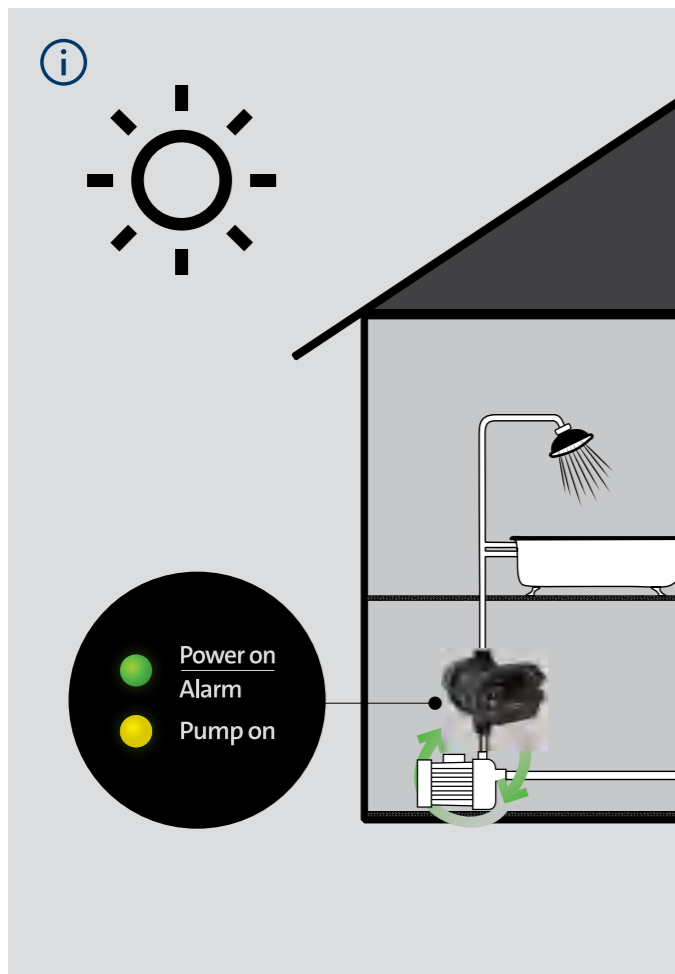


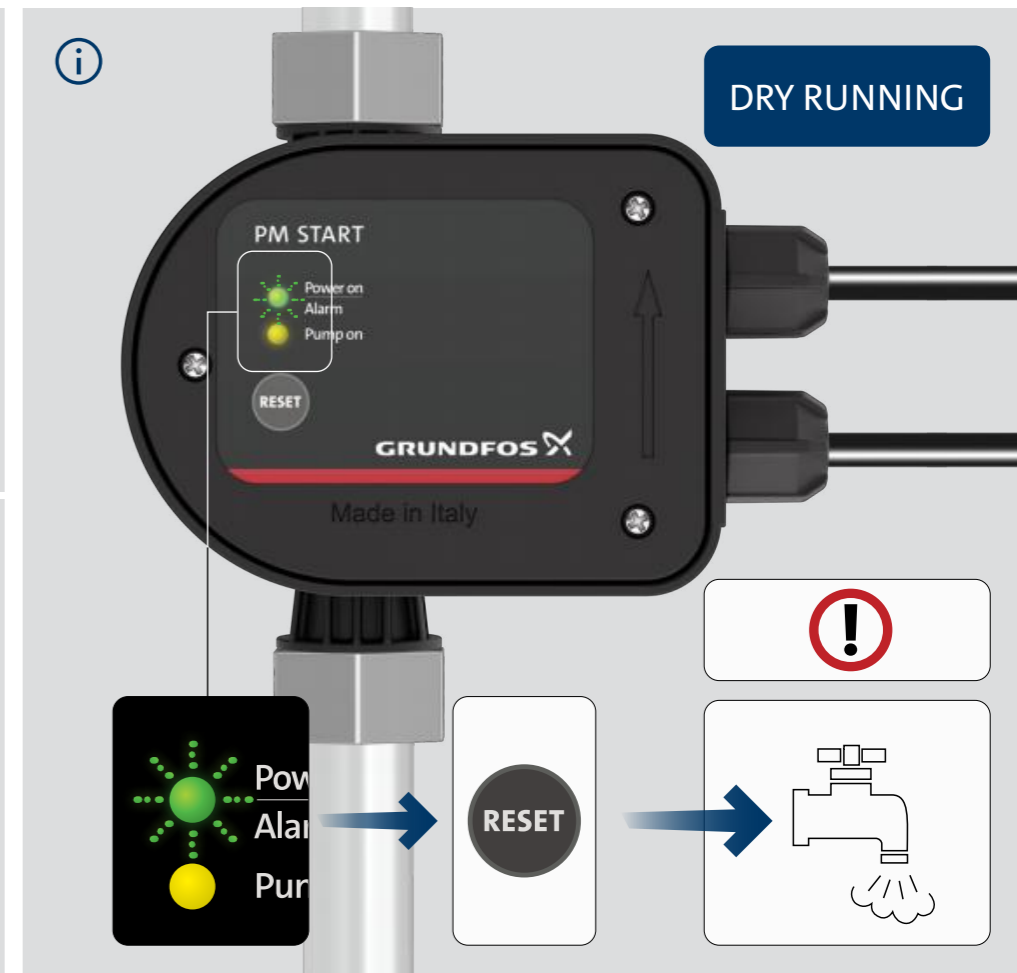
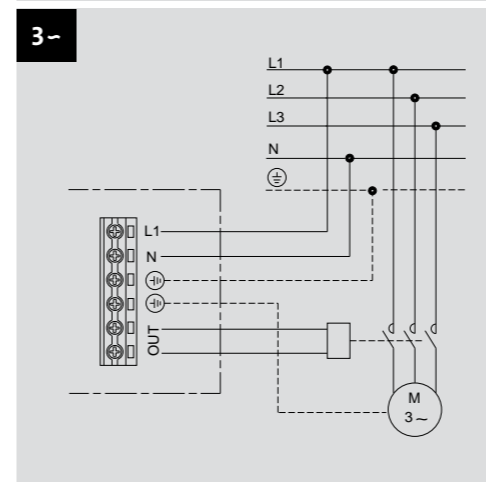
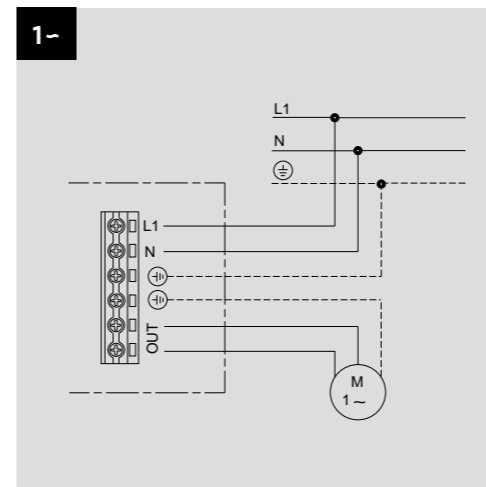
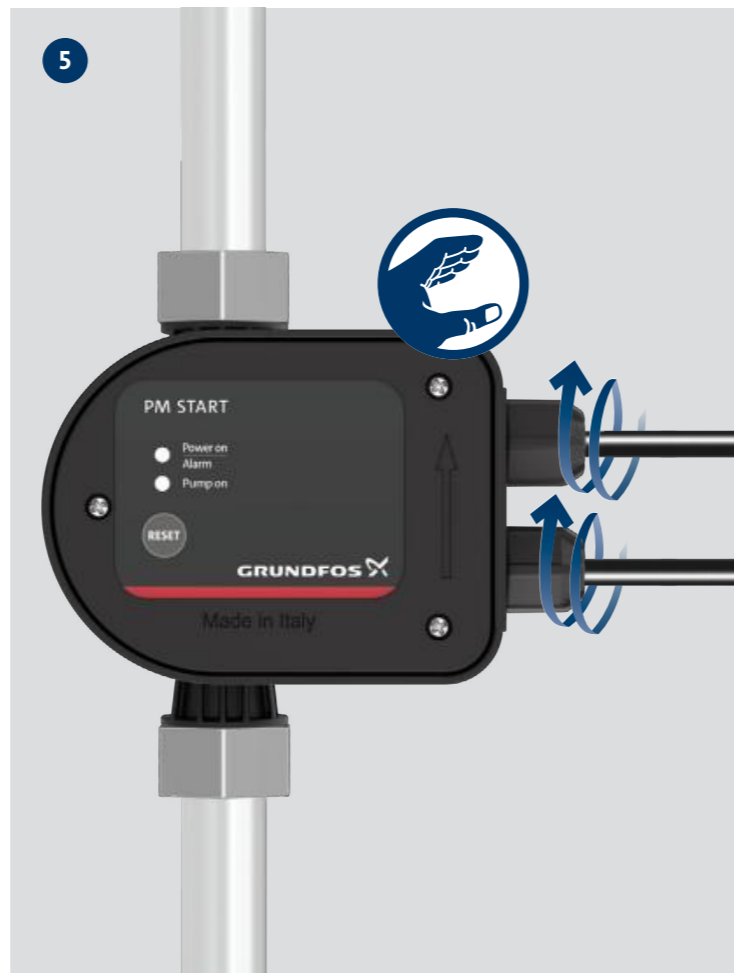
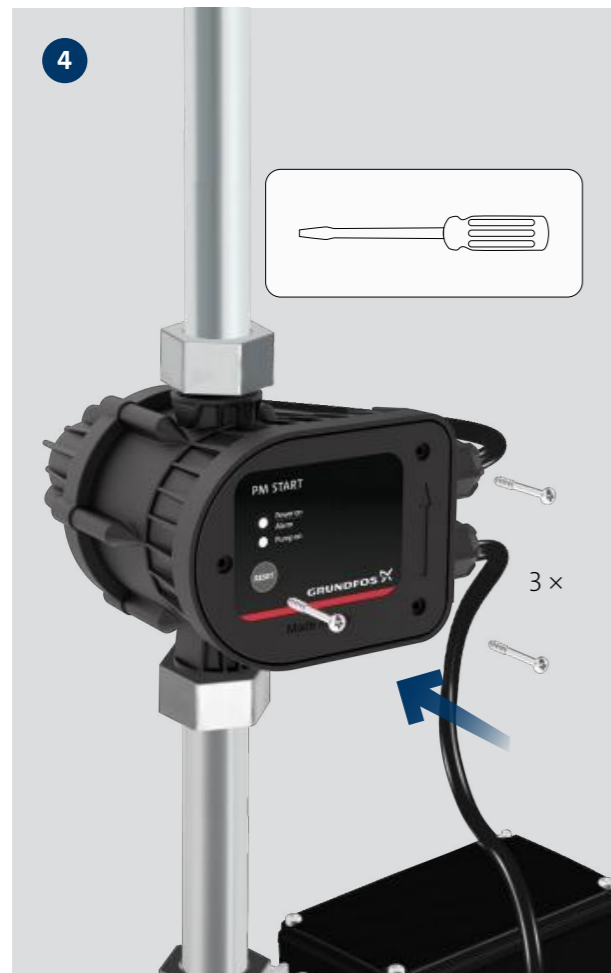
PM START 1.5: Max. 15 meter
PM START 2.2: Max. 22 meter

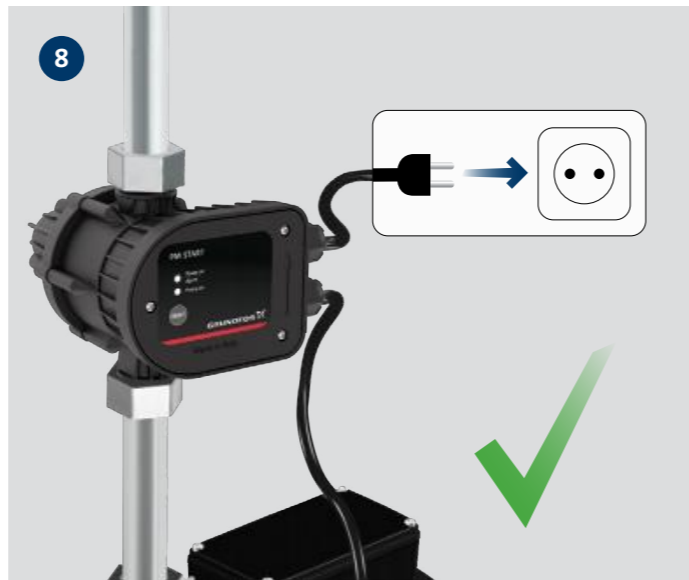
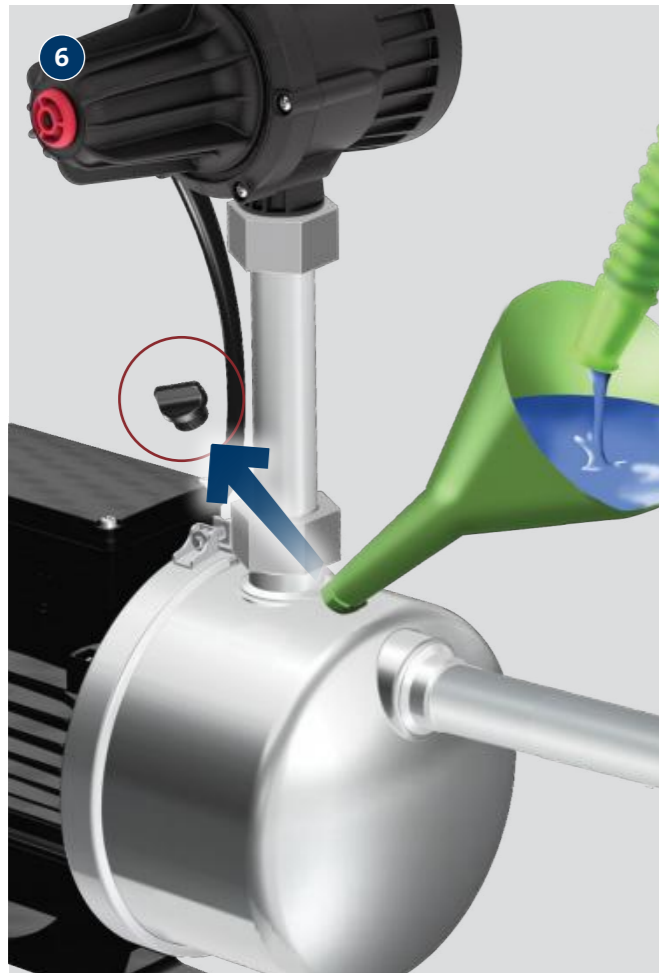
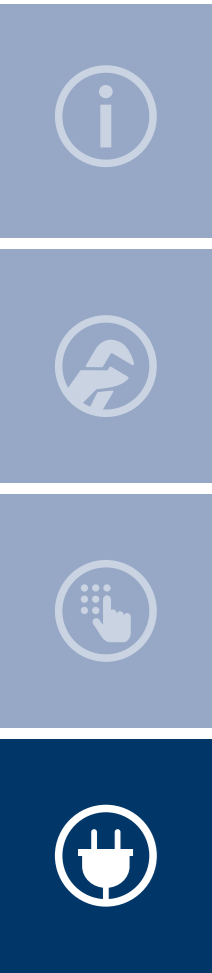


Min.	Max.
0 °C	60 °C
32 °F	140 °F











92949257 01.2025

ECM: 1414244

GRUNDFOS Holding A/S
Poul Due Jensens Vej 7
DK-8850 Bjerringbro
Tel: +45 87 50 14 00
www.grundfos.com

GRUNDFOS 

The name Grundfos, the Grundfos logo are registered trademarks owned by Grundfos Holding A/S or Grundfos A/S, Denmark. All rights reserved worldwide.