

Receiver
From

 Society
 Reference
 Address
 Phone
 Fax
 E-mail

Item n° :

60122691

Model :

FEKA BVP 750 M-A

Pump data

Free passage : 38 mm

Pressure rating :

Min. fluid temperature : 0 °C

Max. fluid temperature : 35 °C

Max. Ambient temperature :

Requested data

Flow : 0 m³/h

Head : 0 m

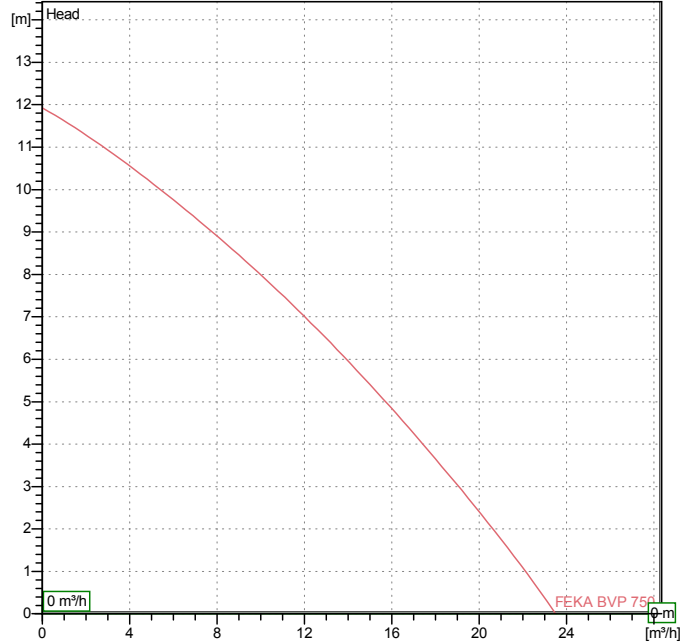
Fluid : Water, pure

Fluid Temperature : 20 °C

Density : 998.3 kg/m³

Kinematic viscosity : 1.005 mm²/s

Vapor pressure : 100 kPa

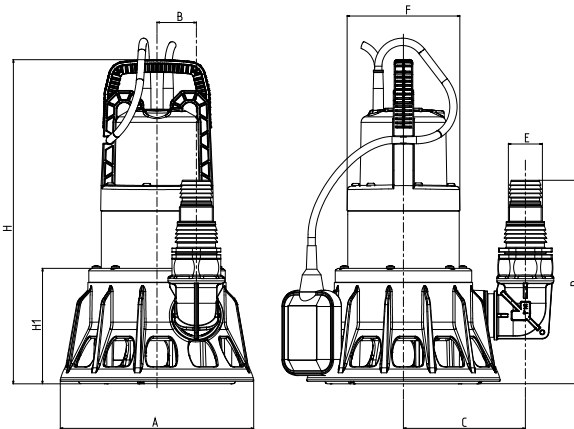
Curve tolerance according to ISO 9906

Hydraulic data (duty point)

Flow :

Head :

Materials

Pump body	Technopolymer
Impeller	Technopolymer
Motor shaft	AISI 416 X12 CrS 13 UNI EN 10088-1
Motor top body	Stainless Steel AISI 304
V-RING	NBR
OR ring	NBR 70
Base plate	Technopolymer


Motor data
Weight : 8 kg

Motor brand : DAB

Nominal power P2 : 0.75 kW

Rated speed : 2800 rpm

Rated voltage : 1~ 220-240 V

50 Hz

Nominal current : 4.6 A

Degree of protection : IP X8

Dimensions in mm

Dimension	Value	Dimension	Value	Dimension	Value
A	240	H1	142		
B	49				
C	150				
D	250				
E	40				
F	140				
H	400				

Pump connection

 Suction side : /
 Discharge side : 1" 1/2 G / --



WATER • TECHNOLOGY

PERFORMANCE CURVES

24/03/2016

Page 2 / 3

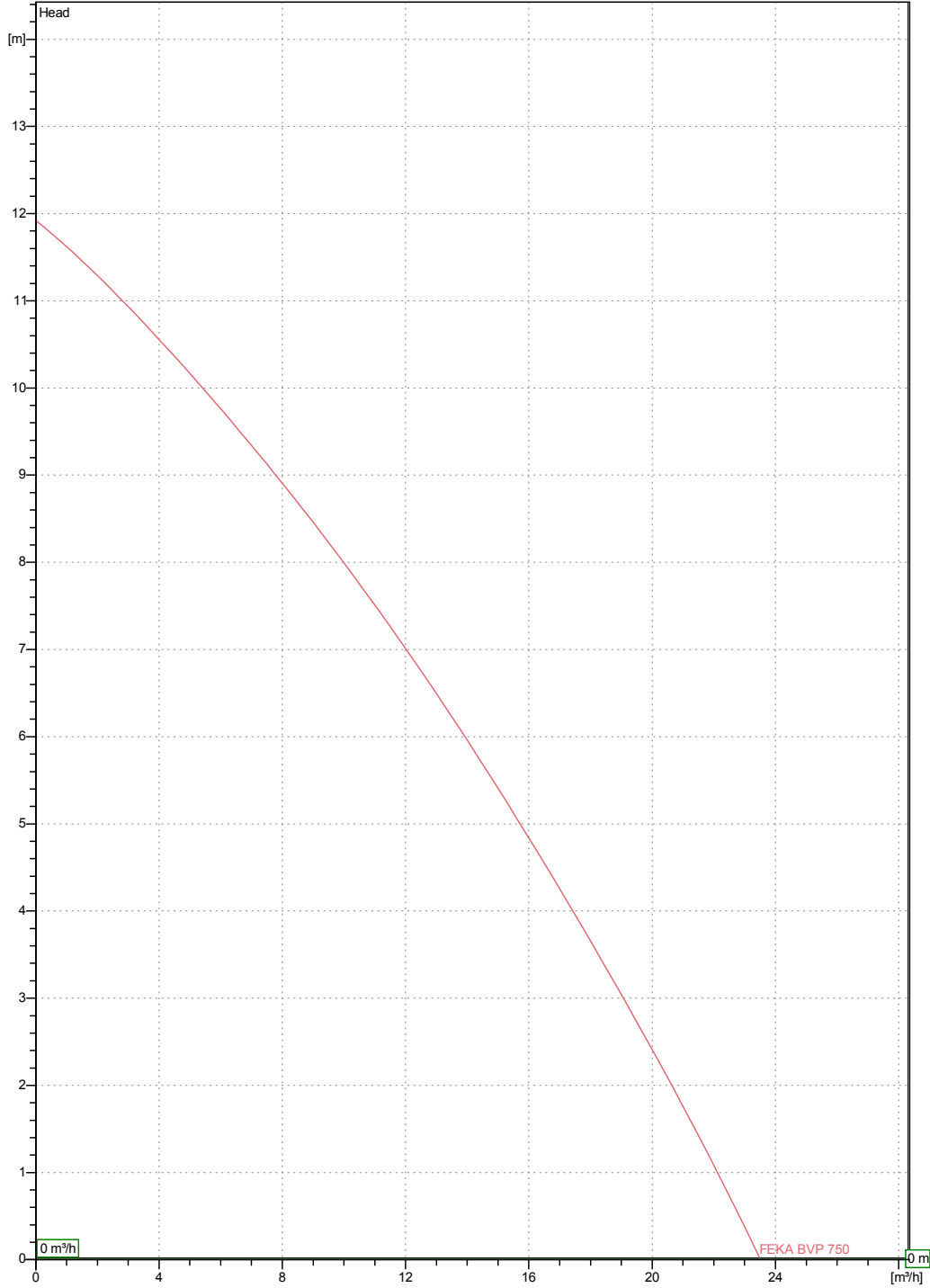
Receiver

From

Society
Reference
Address
Phone
Fax
E-mail

FEKA BVP 750 M-A

Curve tolerance according to ISO 9906



Hydraulic data (duty point)

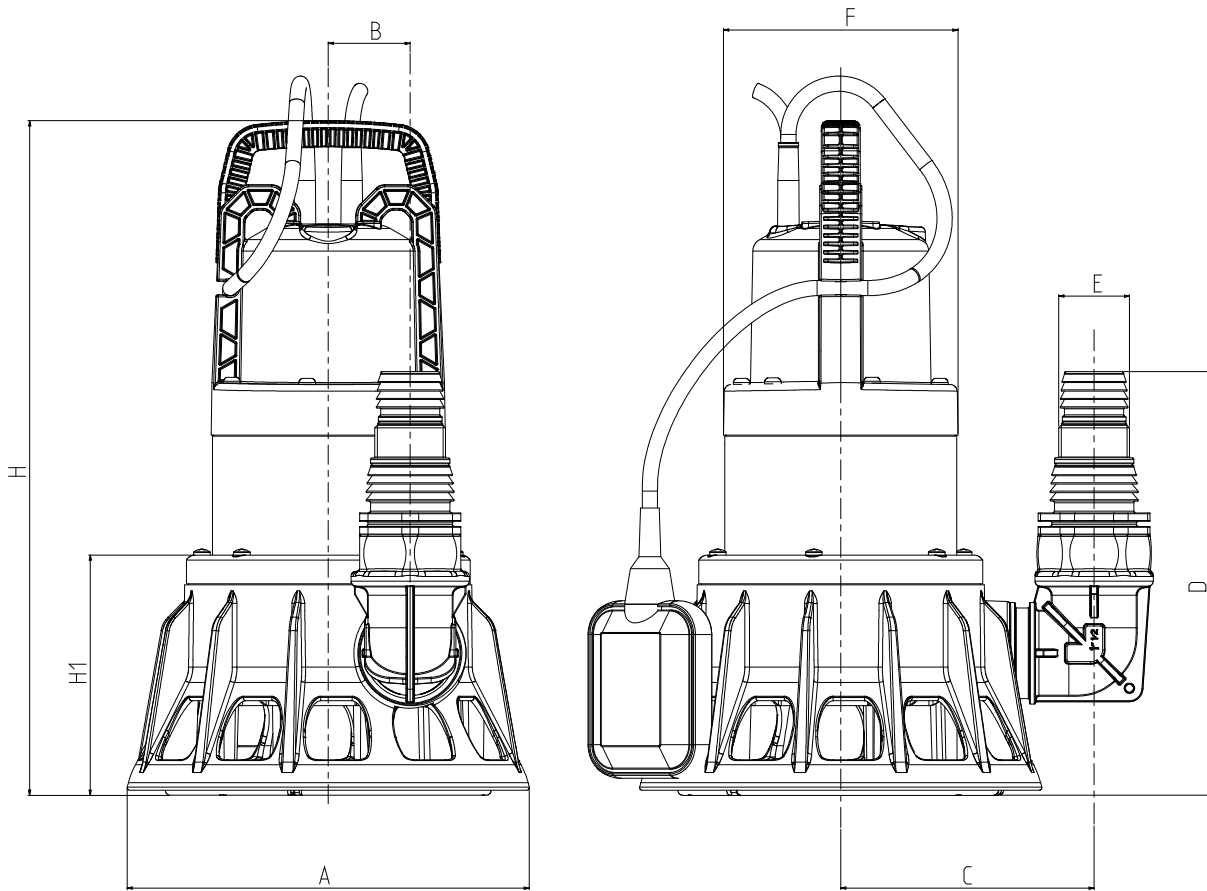
Suction side :	Discharge side : 1 " 1/2 G --	Flow : 0 m³/h	Head : 0 m	Rated speed : 2800 rpm
Project	Project ID	Created by	Created on 24/03/2016	

Receiver

From

Society
Reference
Address
Phone
Fax
E-mail

FEKA BVP 750 M-A



Dimensions in mm

1	A	240
2	B	49
3	C	150
4	D	250
5	E	40
6	F	140
7	H	400
8	H1	142

Pump connection

Suction

Discharge
1 " 1/2 G

-

Project

Project ID

Created by

Created on

24/03/2016